



Detailed Engineering and Power System study by VKES

Table of Contents

1. About Us.....	3
2. VKES Credentials.....	3
3. Infrastructure	3
4. Software.....	3
5. Manpower.....	3
6. Founder Experience	4
7. Publication.....	5
8. Key Strengths of VKES.....	5
9. Citations and Recognition	5
10. Experience Consulting.....	6
11. Experience Training.....	7
12. Power System Study and Detailed Engineering Capability	8
13. Ongoing plans and Future Outlook.....	9

1. About Us

Vidyuth Kanti Engineering Services, VKES Started in May 2017 registered with MSME, having GST, import export code, We have done 5 consulting jobs, 8 classroom training programs and 6 online training programs, developed 4 engineering guidelines on earthing and solar PV system. We are Located in Bangalore/Mysuru. We carry out research, training, consultancy in Electrical Power systems, We are also into Trading of Electrical products and Construction of Warehouse and biomass power plant.

2. VKES Credentials

Registered with MSME : Udhog Aadhar number KR03D0031928

PAN: AKUPK2956R

GST Number 29AKUPK2956R1ZW

Registered with DGFT, IEC number: AKUPK2956R

Registered with SERB

National Career Service ID as skill provider: S13173-1241493826922

Trade Mark No. 3612506

3. Infrastructure

1300 Sq feet office in Mysuru, 3 laptops , 1 board, TV, Furniture.



4. Software

LiberCAD, Autocad ETAP SKM monthly lease will be taken based on jobs

5. Manpower

Paneendra Kumar BL Principal Electrical engineer , 20 years experience

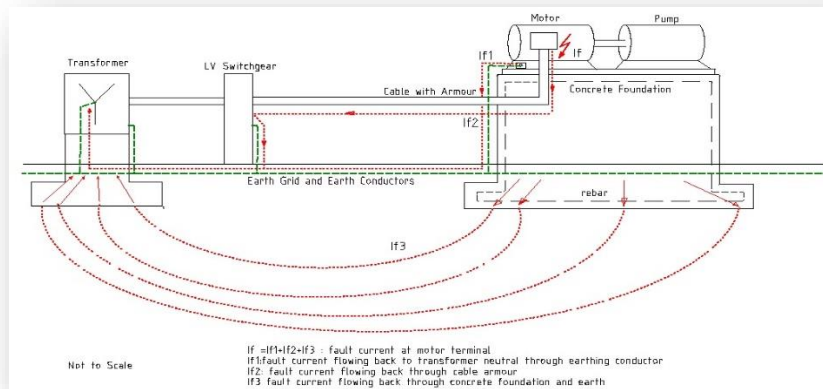
S Selvakumar Senior consultant , 35 years experience

Mallikarjuna Senior Draftsperson and Designer 11 years experience

One Fresher BE Electrical and Two fresher Diploma Electrical

6. Founder Experience

S. No	Positions held	Name of the Institute	From	To
1	Senior Consultant	Vidyuth Kanti Engineering services	May 2017	Present
2	Manager Electrical	Mitsubishi Hitachi Power Systems	Nov 2015	May 2017
3	Senior Electrical Engineer	Petrokon Utama Sendirian Berhad Brunei	Jan 2012	Nov 2015
4	Independent consultant	Biomass Gasifier based power plant	Sep 2011	Jan 2012
5	Senior Application Engineer Electrical	Schweitzer Engineering Laboratories	May 2011	Sep 2011
6	Principal Engineer Electrical	Valdel E&C	July 2007	May 2011
7	Manager Electrical	ABB Ltd	July 2005	July 2007
8	Electrical Engineer	TCE Ltd	July 2004	July 2005
9	Electrical Engineer	ABB Ltd HVDC Delhi	Jan 2003	July 2004
10	Application Engineer Electrical	Saha Sprague Ltd	Jan 2001	July 2001



7. Publication

S.No	Title	Author's Name	Publisher	Year of Publication
1	Guideline on Substation Earthing	Paneendra Kumar BL	VKES	2017
2	Guideline on Industrial and Commercial Earthing	Paneendra Kumar BL	VKES	2017
3	Guideline on Neutral Earthing	Paneendra Kumar BL	VKES	2018
4	Guideline on Solar PV system Earthing, protection and Faults	Paneendra Kumar BL	VKES	2019

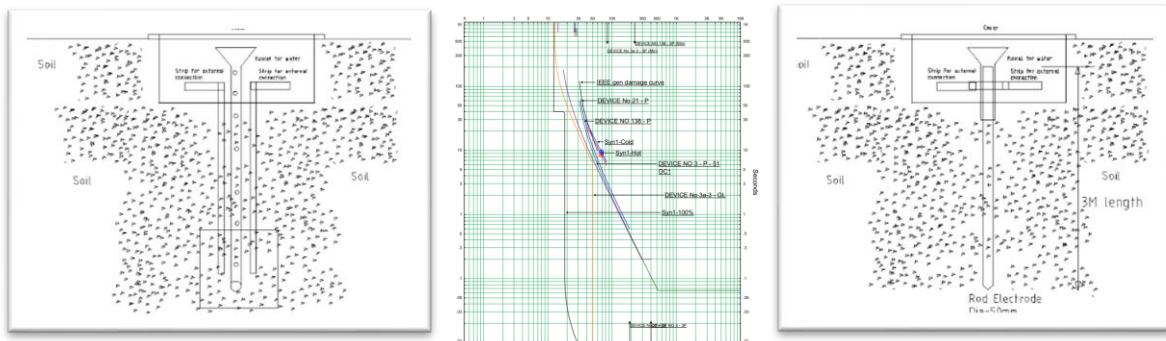
2016 IEEE 6th International Conference Asset management of transformer based on loss of life

8. Key Strengths of VKES

- Founder with 20 years experience in Power plant, T&D, Oil and Gas
- Developed all design methods after in-depth research, referring international standards , IEEE publication, vendor inputs, site visits and owners specifications

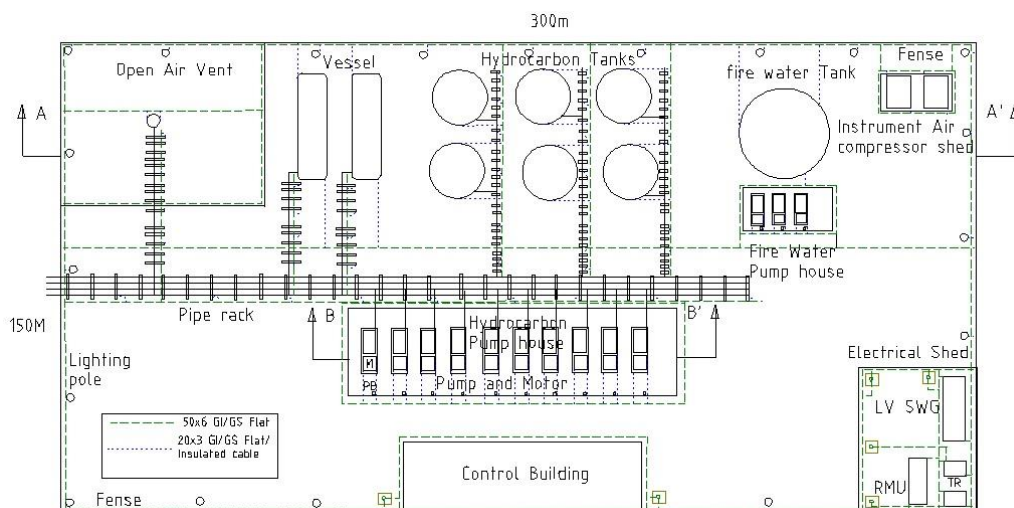
9. Citations and Recognition

- 2020 IRE Journals Electrical Engineering Iconic Research and Engineering Journals with title Improvement of Earthing System for Sub Transmission Station
- Protection and Control of Modern Power Systems 2018 with title A comparative study on grid resource utilization rate between China Southern Power Grid and National Grid Plc of UK
- 2017 IEEE PES Impact of electric vehicle charging on the distribution system in cuenca, ecuador
- IET Generation 202 , HIF detection in distribution networks based on Kullback–Leibler divergence
- Recognition of 2014 Transactions and Magazine reviewers mentioned VKES founder Paneendra
- development of standard IEEE Guide for the Interoperability of Energy Storage Systems Integrated with the Electric Power Infrastructure and standard for IEEE Guide on Arc flash



10. Experience Consulting

Date of completion	Client name	Client GST	Location	Job type
08-01-2018	Poet Consultant Pvt Ltd	29AABCP1115F1ZU	Bangalore	Short Circuit study and Relay Coordination using ETAP for Petrochemical plant in Indonesia
23-03-2018	BAKER TILLY VIRCHOW KRAUSE, LLP	USA COMPANY	Bangalore	Technical Evaluation and Study of Electrical Switcgear market India
07-02-2019	UROGYN		Delhi	Earthing Design for Hospital
10-08-2019	Electrohms Private Limited	29AAACE3972C1ZR	Bengaluru	Surge Incident Cause Analysis and Recommendations
20-11-2020	Bangladesh Niamatpur		Bangladesh	33/11kV NIAMATPUR Substation Earthing Design



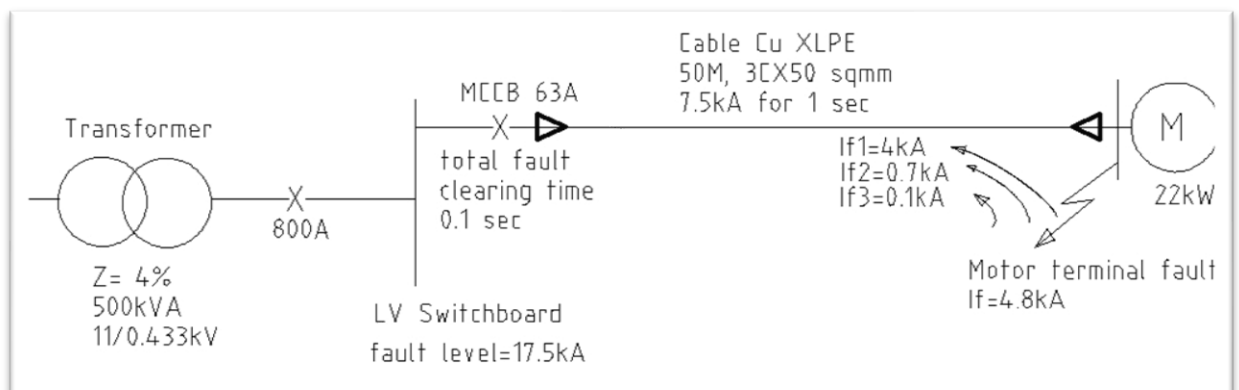
11. Experience Training

Sl no	Date	Client	Place of service
1	20-Aug-18	Centre for Industrial Solutions and Advanced Training Nagpur-440013, Maharashtra	Bangalore
2	27-Sep-18	EPROSYS ENGINEERING CONSULTANTS INDIA PVT LTD	Mysore
3	25-Sep-18	Taurus	Mysore
4	03-Oct-18	RSI SWITCHGEAR PVT. LTD	Mysore
5	03-Oct-18	Solaredge technologies pvt ltd	Mysore
6	05-Oct-18	Force MTU Power Systems Pvt. Ltd.	Mysore
7	08-Jan-19	CHOLAMANDALAM MS RISK SERVICES LIMITED	Chennai
8	05-Feb-19	Schweitzer Engineering Laboratories Pvt Ltd	Bengaluru
9	08-Feb-19	Cikit Electricals & Technologies India Pvt Ltd	Bengaluru
10	09-Feb-19	SWELECT ENERGY SYSTEMS LIMITED	Bengaluru
11	09-Feb-19	Arasu Electricals	Bengaluru
12	09-Feb-19	Bosch Ltd	Bengaluru
13	23-Sep-19	Schweitzer Engineering Laboratories Pvt Ltd	Bengaluru
14	07-Jan-20	Venkat Switchgears	Bengaluru
15	23-Jan-20	Think Energy partners (TEPSOL PROJECTS PVT LTD)	Hyderabad
16	05-Feb-20	SunWorks Energy Private Limited	Hyderabad
17	13-Feb-20	Jiangya Golden Dragon PVT. LTD	Pune
18	21-Feb-20	Schweitzer Engineering laboratories Pvt Ltd	Bengaluru
19	21-Feb-20	A&A Energy Corporation Pvt Ltd	Bengaluru
20	13-Mar-20	Grand Solar Private Limited	Chennai
21	17-Mar-20	CIKIT Electricals and Technologies India Pvt Ltd	Chennai
22	30-Jul-20	Hubbell	Chennai
23	01-Mar-22	7 senior engineers from EPC	Online



12. Power System Study and Detailed Engineering Capability

- Preparation of Single line diagram
- Earthing grid design,
- Battery sizing Calculation,
- Direct Stroke Lightning Protection
- Transformer ,Emergency DG Sizing
- SC force Calculation
- Bus bar temperature rise calculation
- Block interlogic diagram (BID)
- NGR NGT Sizing Calculation
- Protection Coordination
- Load flow
- Short Circuit Study,
- Motor Starting Study,
- Transformer Inrush Study
- Dynamic and Transient Stability
- Insulation Coordination
- Harmonic study
- Arc Flash Analysis
- Relay Coordination



13. Ongoing plans and Future Outlook

To Set up a Research centre in 4 acre campus in Outskirts of Mysuru

To Get ISO 9001

To get Duns And Bradstreet registration

To Publish a Guideline on Grounding with reputed global publisher

To Carry out research to study problems due to EV

To improve E learning electrical portal

Have dedicated team to support IOT , power system software development using Python

To spread use of open source power system software like OpenDSS

Have dedicated team to support Electrical 3D modelling

Get NSIC Registration

Conduct testing of Electrical products for techno commercial evaluation

Procure ETAP, SKM, Digisilent, PSCAD perpetual license

To Recruit full time Electrical Diploma, Electrical BE, Mtech Power System engineer, Phd,

MBA marketing, BCom graduates

To Provide Internship to BE students

To enter MOU with Research institutions, universities

To get approval as research laboratory from DST

To take Patent on Transformer relay, travelling wave relay, Arc relay

